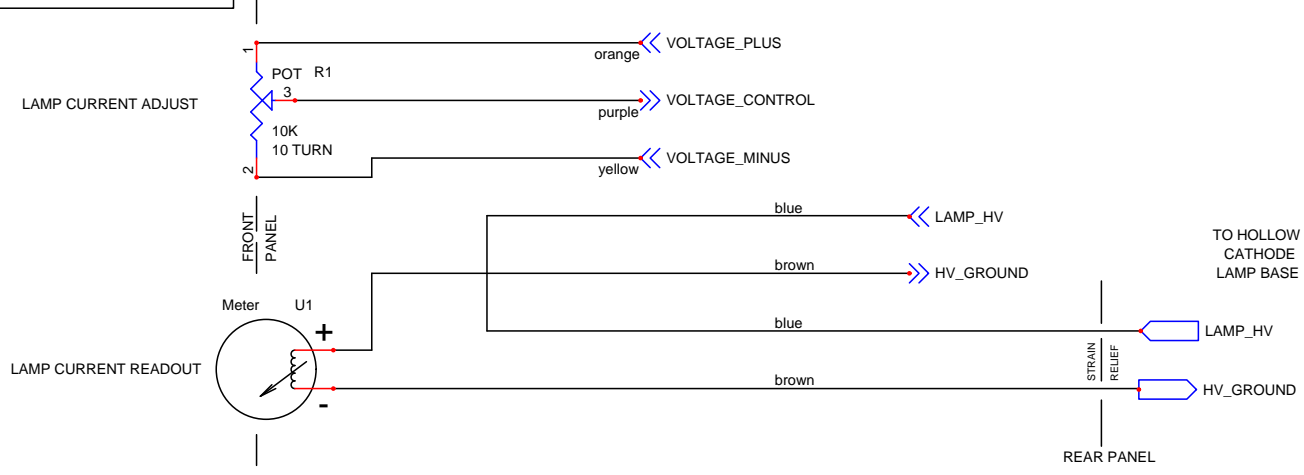
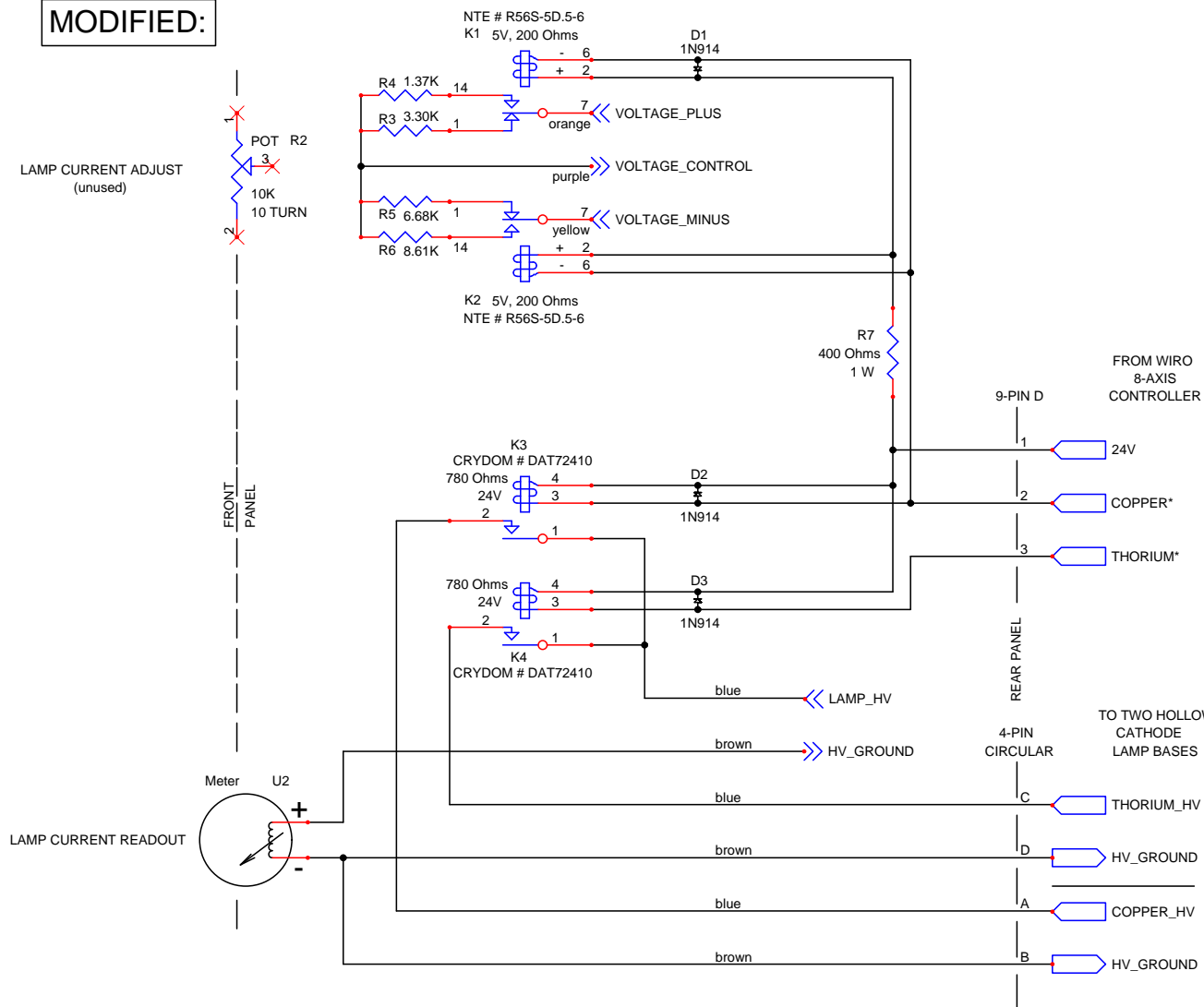


UNMODIFIED:



MODIFIED:



THE THORIUM HCL (PHOTRON # P858A-Q) DRAWS 10mA @ -121 VDC
 THE COPPER HCL (PHOTRON # P814A)) DRAWS 4mA @ -204 VDC
 ALL RELAYS ARE SHOWN IN THE DE-ENERGIZED STATE

WYOMING INFRARED OBSERVATORY

Title: MODS TO HC LAMP POWER SUPPLY, PHOTRON # P209		
Project: SPECTROGRAPHS	File: Root.sch	Page: 1/1
Number: Doc. Number	Date: 16MAR06, jsw	Rev.: 1.0